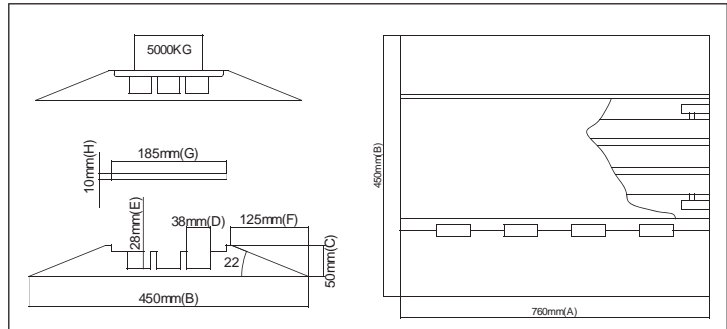


The cable crossover is the cable protector that protects cables from moisture, oils and solvents, and is high impact and load bearing. The standard KUPO cable crossover is 3 cable ducts and 5 cable ducts made from high density pressure moulded latex, back with highly visible orange lid. Each cable crossover has interlocking ends that can be connected to create any desired length. Easy to operation and protect a cable across an average interior doorway. The operating temp. is -40°C to 49°C and the load bearing capacity is 5,000KG.

KCG-301 3C Cable Guard
3 Channel System Protects



- Insulated: YES
- Length: 76cm
- Width: 45cm
- Height: 5cm
- Ducts height: 2.8cm
- Max. Load: 5000KG
- Weight: 11.8KG
- Operating Temp.: -40dF to +120dF (-40dC to +49dC)

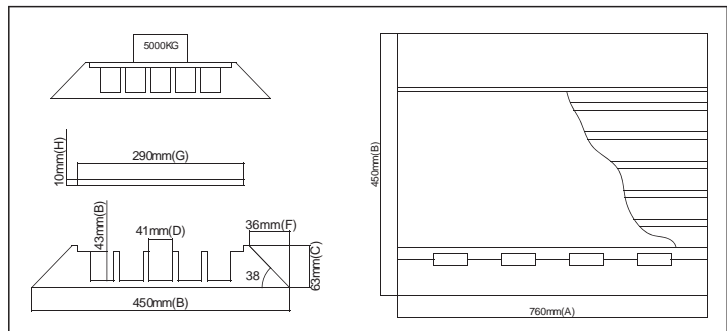


Modular interlocking system

KCG-501 5C Cable Guard
5 Channel System Protects



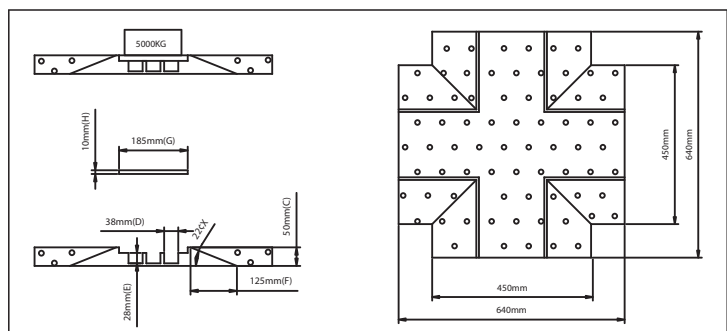
- Insulated: YES
- Length: 76cm
- Width: 45cm
- Height: 6.3cm
- Ducts height: 2.8cm
- Max. Load: 5000KG
- Weight: 19KG
- Operating Temp.: -40dF to +120dF (-40dC to +49dC)



KCG-311 3C Cable Ducts (Cross)



- Insulated: YES
- Length: 64cm
- Width: 64cm
- Ducts Height: 5cm
- Ducts height: 2.8cm
- Max. Load: 5000KG
- Weight: 16KG
- Operating Temp.: -40dF to +120dF (-40dC to +49dC)



modular interlocking system

KCG-530
CABLE GUARD 30 DEGREE CORNER
FOR 5 CABLE DUCTS

