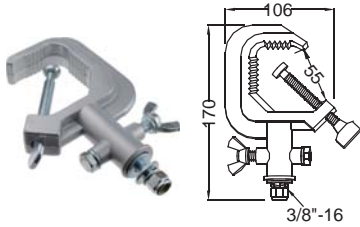
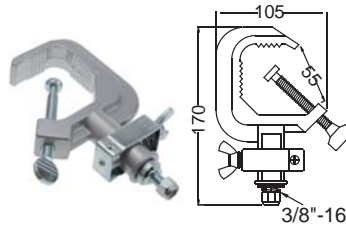


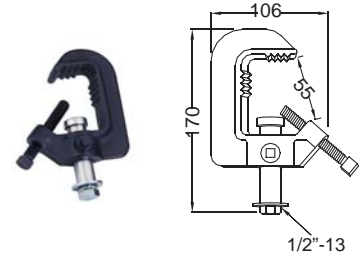
C-05/B Hook Clamp
 Aluminum alloy/Black
 Working load: 150KG (330.7lbs)



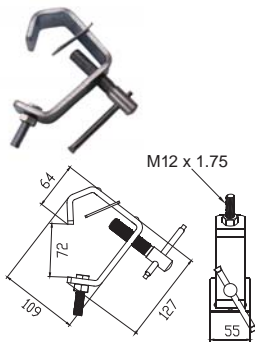
C-05QP Hook Clamp
 Quick Release aluminum alloy
 Working load: 150KG (330.7lbs)



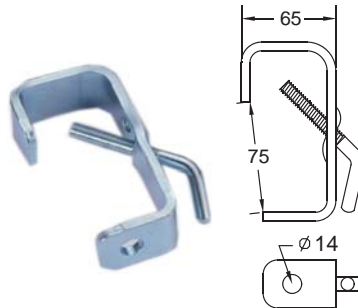
C-06 Heavy Duty Clamp
 Iron casting clamp
 Working load: 1000KG (2204.6lbs)



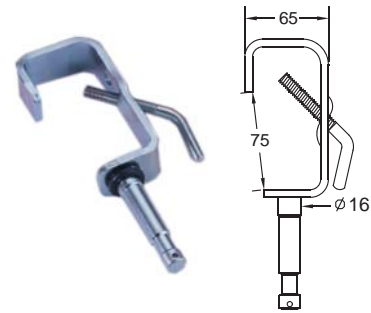
C-12 Steel Clamp
 Fit Dia. 30-60mm tube



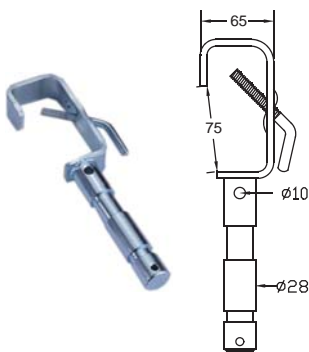
KCP-702 Stage Clamp
 with 14mm hole



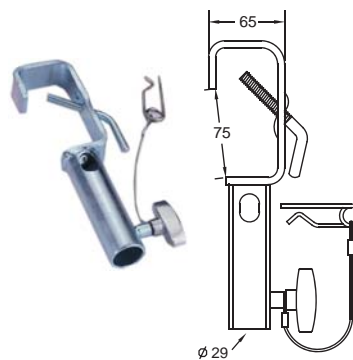
KCP-703 Stage Clamp
 with 16mm stud



KCP-704 Stage Clamp
 with 28mm stud



KCP-705 Stage Clamp
 with 29mm socket



SW-01 Safety Wire
 Dia. 3.2mm / 75cm length
 Safety load 10kg (22lbs)



SW-02 Safety Wire
 Dia. 3mm (with PVC coat)
 / 70cm length
 Safety load 5kg (11lbs)



SW-03 Safety Wire
 Dia. 5mm / 100cm length
 Safety load 50kg (110lbs)



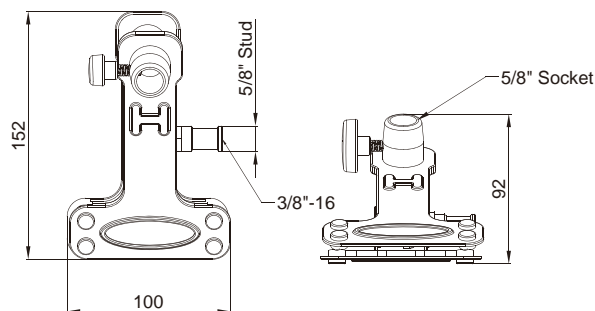
SW-04 Safety Wire
 Dia. 4.5mm (with PVC coat)
 / 75cm length
 Safety load 10kg (22lbs)



KCP-360B Ali Clamp - Black

KCP-360P Ali Clamp - Polish

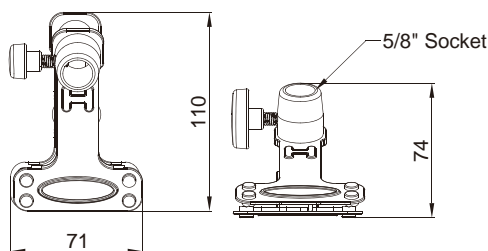
It is a handy multi-purpose steel clamp features three attachment methods: a spring-tension with rubber feet protection clamp which has a clamping range of 5-40mm, a 5/8" female socket and a 5/8" stud so it can be mount into a lighting stand, Convi Clamp, Super Viser or Grip Head to hold reflectors, gels, foam cores or flash securely in the studio and on location.



KCP-350B Mini Ali Clamp - Black

KCP-350P Mini Ali Clamp - Polish

A compact clamp with 35mm clamping range similar to the Ali clamp but smaller. One of the most useful tool for photographer, it can mount to the top of any lighting stand with 5/8" socket or stud to hold props, reflectors and background drop or clip a small light fixture for tabletops shooting.



KCP-390 Off Camera Flash Spring Clamp

Constructed by lightweight aluminum Ali clamp and sturdy steel ball head for off camera flash light in a variety of situations. The clamp also comes with adjustable aluminum cold shoes which offers not only different size holder of flash lights but also long-lasting operation than plastic one. It's easy and convenient to attach the clamp to the plank or tube from 5-40mm with the strong spring steel equipped inside the clamp. The 16mm stud with 3/8" thread hole and the sockets are attached with the clamp can be connected with light stands and umbrella.



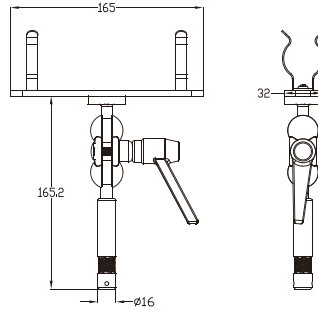
The holes designed for umbrella

Application



KCP-380 Kino Flo Fluorescent Lamp Holder

Designed for holding a single Kino Flo T-12 fluorescent lamp / tube with double spring steel clips. Swivel ball joint design comes with neck-embossed 5/8" Baby stud can neatly mount in a grip head, c-stand, or gaffer grip for offering multi-positions. Metal adjustable lever handle is designed for a specific handle position is desired. Weight: 300 g (0.66 lbs)



Application



KCP-724 Wall Spreader 2" x 4"

Designed for a background support, or an overhead beam to hanging lighting fixtures by placing cut lumber at each end. It can be used both horizontal and vertical positions.



KCP-610 Foamcore Fork

Four pointed pins to mount foam core with 5/8" baby stud. Stab it into the side of foam core and may mount it on a stand, grip head or Convi clamp.



Application



KCP-650 Ruler Clamp

Ruler clamp locks onto posts, beams and objects with spans to 56cm(22") to support one or more lights or flags by included adapter with two 5/8" baby studs. Max. Length: 55cm(21.6") Available Link Two for Extend



KS-055 Junior Multi Header
5 x 28mm socket & 28mm pin
Length: 100cm (39.37")



Application



KS-056 6 x lantern T bar
1420mm (55.9") long with KS-034 stud



Application



KCP-300 Articulated Arm
 5/8" baby pin outside &
 3/8" -16 thread inside
 Max. Load: 0.5KG (1.1lbs)



KCP-345 French Flag Arm



KS-050 Flag Holder



KCP-346 French Flag
 Black metal french flag for
 blocking lights. (40cm x 25cm)



KD-790B Bracket Shelf Holder
KD-790P Bracket Shelf Holder
 L Bracket Shelf Holder
 17cmW x 0.4cmD (Set of Two)



KD-795B U Hook
KD-795P U Hook
 Compact U Hooks -
 Black / Polish



KD-CM16P
 Designed for mounting a small
 light instrument from a drop
 ceiling frame with the 5/8"
 (Baby) stud.



KD-CF16P
 The same function as KD-CM16P
 but with 5/8" (Baby) receiver.



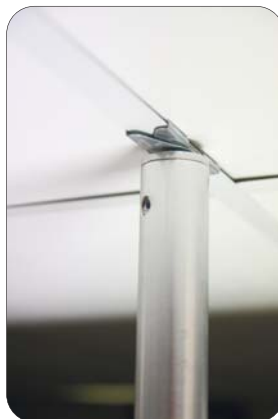
KD-C50P
 Designed for connecting
 Kupole from a drop ceiling
 frame with the equipped
 adapter.



Application



KD-CM16P



KD-C50P



KD-790P