



KUPOLE is strong, durable and cool adjustable lighting pole system. The unique locking device made in casting provides the pressure and locking system for holding the Kupole in place.

- Delux aluminum casting handle incorporates a safety lock.
 - It can be used in vertical or horizontal support of lighting or backdrop.
 - 2 adjustable settings for a variable tension adjustment.
 - Manufacturing in pole dia.45mm and 40mm and three overlapping size up to 370cm.
- Both silver anodized and black powder coat finish available.



KP-L2137B

Weight: 2.85KG (6.3lbs)
Extends from 210cm(83")
to 370cm(145")

KP-M1527B

Weight: 2.45KG (5.4lbs)
Extends from 150cm(59")
to 270cm(106")

KP-S1017B

Weight: 2.0KG (4.4lbs)
Extends form 100cm(39.4")
to 170cm(67")



KP-L2137PD

Weight: 2.85KG (6.3lbs)
Extends from 210cm(83")
to 370cm(145")

KP-M1527PD

Weight: 2.45KG (5.4lbs)
Extends from 150cm(59")
to 270cm(106")

KP-S1017PD

Weight: 2.0KG (4.4lbs)
Extends form 100cm(39.4")
to 170cm(67")



KP-X15P

KP-X15B

Weight: 0.53kg (1.2lbs)
Dia.: 40mm
Length: 1.5m (59.1")

KP-X20P

KP-X20B

Weight: 0.7kg (15lbs)
Dia.: 40mm
Length: 2.0m (78.7")



Safety lock



Adjustable setting



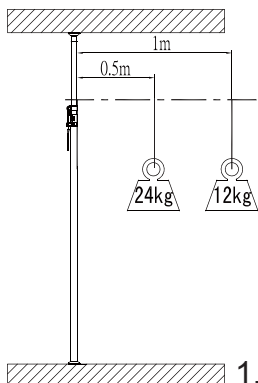
Spring cushion



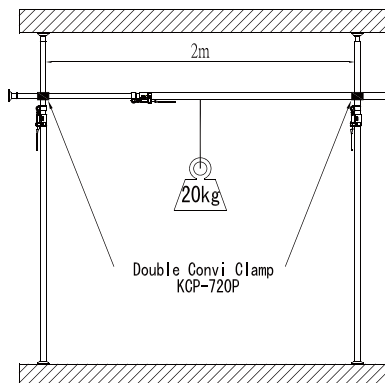
Horizontal for lighting

Loading limits

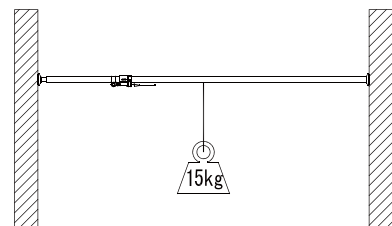
- Picture 1&2 are valid for using with rigid floor and ceilings, and with the rubber pad attached on the rubber cover.
- Picture 3 is valid for operating with rigid wall to wall, and with the rubber pad attached on the rubber cover.



1.



2.



3.

Rubber cover & Rubber pad of kupole

KP-SP02 White Top Rubber Cover



KP-SP03 White Bottom Rubber Cover



KP-SP01 White Rubber Pad



KP-SP04 Black Top Rubber Cover



KP-SP05 Black Bottom Rubber Cover



KD-B126P Kupole Base

The Kupole base is designed to convert Kupole to conventional stand whenever the ceiling is higher than 12' (3.6M) or a free-standing background is needed. The center base accepts 45mm diameter tubes. Leg diameter: 22mm with 49.6(126cm) footprint. Just remove the bottom rubber cover, slide on tripod base then replace the cover.



With Kupole

KD-R48P Kupole Disc Base

This is a sturdy 19" (48.3 cm) diameter and weight 12KG round metal base for Kupole. Use them for a clean streamlined look and ideal for visual merchandizing or displays.



With Kupole

KD-C50P Kupole Suspended Ceiling Adapter

Designed for connecting Kupole from a drop ceiling frame with the equipped adapter.



KD-T50P Kupole Adapter

weight: 0.55KG
Fits tube size from 48-51mm OD.
It connects the Kupole with the Truss

