

**KCP-101 MAX ARM**

The Max arm is specially designed for lighting, video, film or stills use. The multi-positioning arm with 90° pivoting, 360° rotating ends and a 360° elbow rotates. The center adjustable lever handle to control and lock all three movements, which allows partial loosening for safe and precise positioning of a small light fixture or camera exactly at the angle you need it. Both ends come with a ball joint 5/8”(16mm) studs; one is tapped for a 3/8” and the other is tapped for a 1/4”. It is so versatile that can be set at any awkward position or odd place.

- W** 1KG ( 2.21lbs)
- max** 4KG ( 8.8lbs)
- H** 53CM ( 20.8inch)



**Features:**

1. Metal adjustable lever handle for easy making slight adjustment and can be rest to any angle. Ideal for clamping in a confined space, or a specific handle position is desired.
2. The metal-like engineering thermoplastic friction discs with teeth design offers a solid grip.
3. The storage length is 28.5cm and fully extend to 53cm with net weight 1kg only for compact & portable.
4. Both ball joint stud with multi-milling flats that can fit into baby socket fast and hold object stable.

**KCP-101W MAX ARM WITH WHEEL HANDLE**

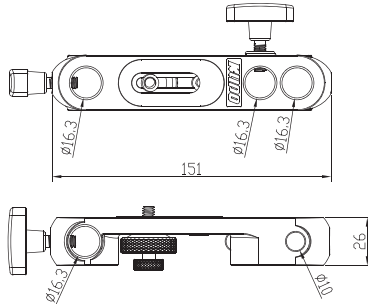
The function is as the same as KCP-101 Max Arm but with wheel handle which comes with rubber cover. This is standard accessory designed to KCP-100R for more comfortable and better torque while tightening the round knob especially for those users without gloves in cold working environment. This is made by silicon rubber which offers excellent weather ability for long-lasting operation.

- W** 1KG ( 2.21lbs)
- max** 4KG ( 8.8lbs)
- H** 53CM ( 20.8inch)



**KS-CB01 CAMERA BRACKET**

This Camera bracket is designed for Max Arm. Constructed by aluminum die casting which makes it very lightweight and durable. In addition to a standard 1/4-20 inch thread mount for a small camera, it also comes with a 1/4" to 3/8" adaptor to meet different size of thread mount. Meanwhile, there are four 3/8" female sockets available on the bracket that can be connected two max arms from each side gives the most stable. The 7mm female socket is also built for the need of the umbrella reflector.



Steadiest support w/ two arms

**KCP-101CB**

Max Arm with Camera Bracket



**KCP-101K**

Max Arm Kit included Convi clamp KCP-710, Max arm KCP-101, Camera Bracket KS-CB01 and backlite base.



Applications of Max Arm



With backlite base stand for camera



With two Max arms on the bike for camera



With convi. clamp for camera



With suction cup for DV



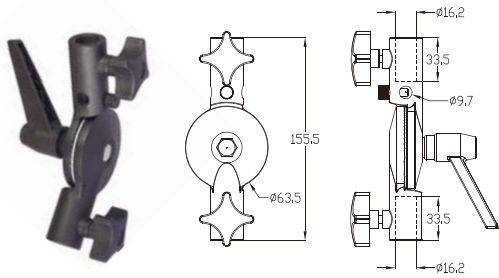
With convi clamp for lighting



With convi. clamp for camera

**KS-101 Umbrella Swivel Bracket**

Umbrella Swivel Bracket is made of aluminum and with 5/8" (16mm) receiver in both ends that can connect stands or accessories with baby pin to make aiming the light or flash easy with swivel design. The locking umbrella socket also accepts umbrella shafts up to 3/8" diameter.



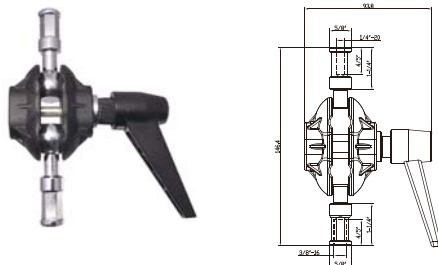
**KS-102**

Same function as KS-101 but with KS-014R & KS-015R which are two removable, reversible 5/8" studs with 1/4"-20 and 3/8" threads; and can be mounted various attachments like umbrella's, soft boxes, strobe's and speedlites.



**KS-103 Versatile Swivel Adapter**

Versatile Swivel Adapter comes with a two ball joint 5/8" (16mm) stud., one is tapped for 3/8" and the other is for 1/4", offers you to clamp onto a support at odd angles with stands or suction cups. Both ball joint stud alsodesigned to fit into baby socket likes convi. clamp, super viser and hold object stable.



**KS-104**

Versatile Swivel Adapter w/ KS-CB01  
Same function as KS-103 but with Camera bracket.



**Application**

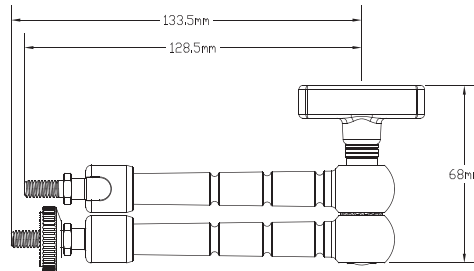


**KCP-102 VISION ARM**

The Kupo Vision Arm is functional, reliable, and durable and designed for a monitor or light accessories. Two arms and two swivel ball-joint attachments are locked solidly by rotate the single central lever which is adjustable help easy change the position of lever for your desired position. With 1/4-20, 3/8-16 stand thread that easily allows you to connect together two things with different thread sizes



Weight : 300G ( 0.65 lbs)  
Height: 25cm ( 10 inch)



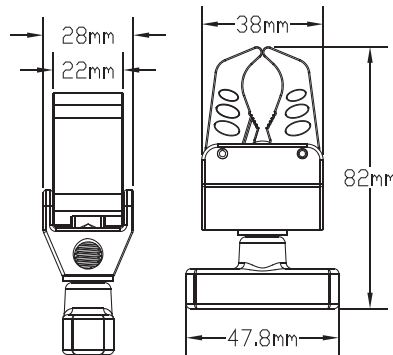
**KCP-730B PINCER CLAMP**

Pincer clamp is the mini version of Convi clamp with super lightweight and compact size advantage. The pad on the jaw provide stronger grip on the round, square and flat shapes. With 1/4" and 3/8" female sockets, it is an ideal for any lighting accessory.



Weight : 130 g  
Material Aluminum  
Fit tube size : 13~35mm

Loading weight : 5.5KG  
Attachment 1/4" & 3/8"  
Fit flat surface size : 5~20mm



**Features:**

1. Two jaws are aluminum extrusion makes it robust and durable.
2. Ergonomic aluminum casting knob offers better grip.
3. 1/4" and 3/8" female sockets can be used simultaneously without space limitation.
4. Inside steel spring keeps the jaws move smoothly while twisting the knob.

**Application**



With KS-017 Universal 16mm Stud



With KS-062 16mm Socket



With KCP-102 Vision Arm